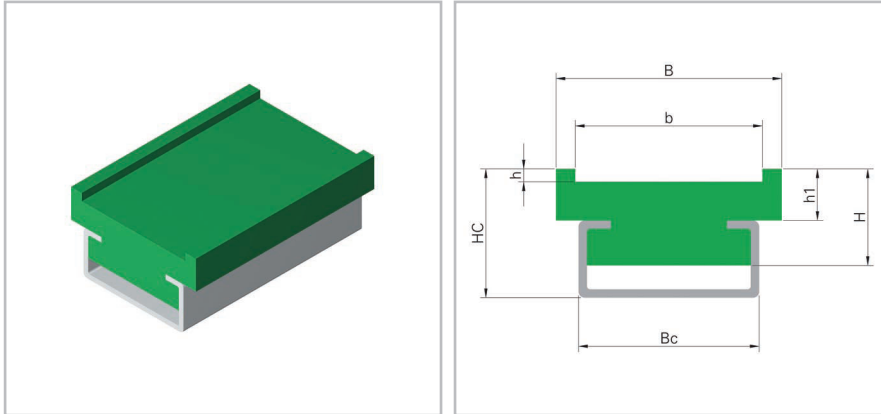


Description

Machined PE profile with a high molecular weight. Used as a sliding support in conveying and linear movement applications for HabaSYNC[®] timing belts. With its good wear and chemical resistance, and inherent low noise properties, it works well with all types of machinery. This can be installed easily with the related metal profile.

This is used in a wide range of industries such as bottling, packaging, materials handling, and food processing.



Product data

Habasit code	Metal profile	BC	HC	B	H	b	h	h1
		mm	mm	mm	mm	mm	mm	mm
FC AT10 16	C-5	28	21	25	17	17	3.8	9
FC AT10 25	C-5	28	21	34	17	26	3.8	9
FC AT10 32	C-9	38	27	41	22	33	3.8	9
FC AT10 50	C-9	38	27	59	22	51	3.8	9

Standard material: HabisPLAST[®] UHR/G (green). Other materials are available on request.

Standard length: 3.0 m - other lengths are available on request

Metal profile is not included - please order separately.

For detailed material properties and other colors please contact your Habasit representative.

Note: All data are approximate values under standard climatic conditions: 23 °C / 73 °F, 50% relative humidity (according to DIN 50005 / ISO 554).

Product liability, application considerations

If the proper selection and application of Habasit products are not recommended by an authorized Habasit sales specialist, the selection and application of Habasit products, including the related area of product safety, are the responsibility of the customer.

All indications / information are recommendations and believed to be reliable, but no representations, guarantees, or warranties of any kind are made as to their accuracy or suitability for particular applications. The data provided herein are based on laboratory work with small-scale test equipment, running at standard conditions, and do not necessarily match product performance in industrial use. New knowledge and experiences can lead to modifications and changes within a short time without prior notice.

BECAUSE CONDITIONS OF USE ARE OUTSIDE OF HABASIT'S AND ITS AFFILIATED COMPANIES CONTROL, WE CANNOT ASSUME ANY LIABILITY CONCERNING THE SUITABILITY AND PROCESS ABILITY OF THE PRODUCTS MENTIONED HEREIN. THIS ALSO APPLIES TO PROCESS RESULTS / OUTPUT / MANUFACTURING GOODS AS WELL AS TO POSSIBLE DEFECTS, DAMAGES, CONSEQUENTIAL DAMAGES, AND FURTHER-REACHING CONSEQUENCES.